

## Serrated locking plates

Steel / Stainless Steel

### SPECIFICATION

#### Types

Type **A**: with tapped hole  $d_3$  in the centre, with two countersunk holes for socket head cap screws

Type **B**: with bore  $d_4$  in the centre, with two countersunk holes for socket head cap screws

Type **C**: with tapped hole  $d_3$  in the centre, with two tapped mounting holes

Type **D**: with bore  $d_4$  in the centre, with two tapped mounting holes

Type **E**: without bores blank, not hardened

#### Version in Sintered Steel (Distaloy AB) ST

hardened, black oxidised with vapor

#### Version in Stainless Steel (Sintered Steel) NI

AISI 316L



### INFORMATION

With the aid of serrated locking plates GN 187.4 standard components can be interlocked and firmly set at a defined angle.

The angular position of the fixing bores in relation to the serrations is not defined in the standard design. The exact positioning is available as special design.

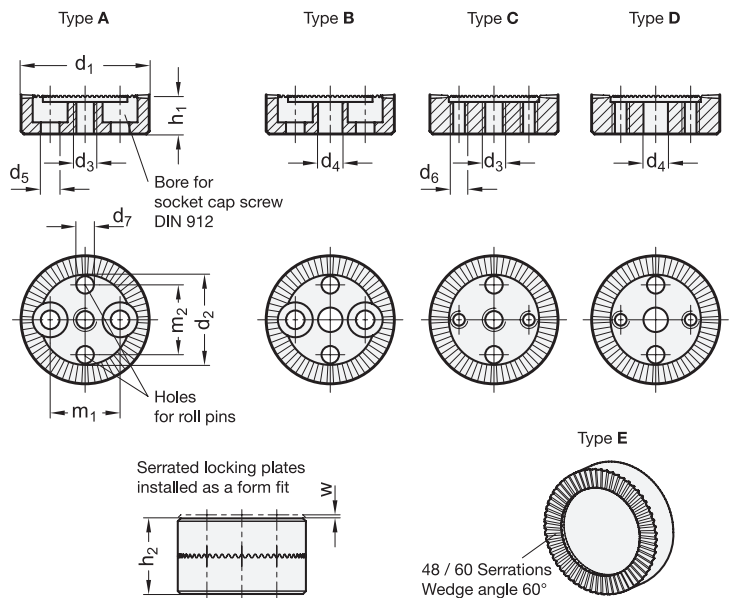
The range of designs makes these plates adapt-able for almost any application in this particular field. To complement these serrated locking plates, accessories such as guide pots GN 187.1 (see page 1065) and thrust springs GN 187.2 (see page 1065) are useful additional standard parts.

### ACCESSORY

- Guide pots GN 187.1 (see page 1065)
- Thrust springs GN 187.2 (see page 1065)

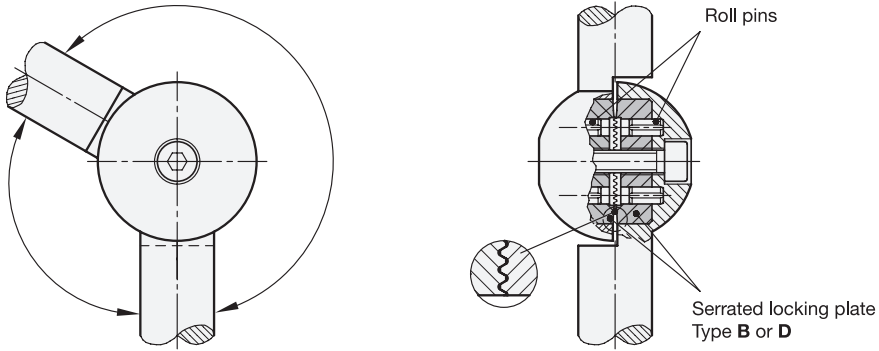
### TECHNICAL INFORMATION

- Stainless Steel characteristics (see page A26)

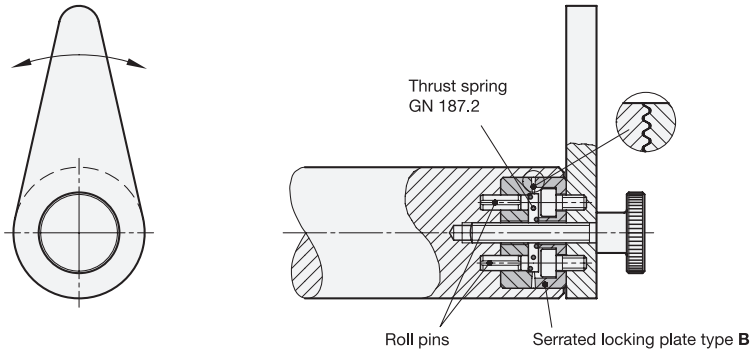


**MOUNTING APPLICATIONS FOR SERRATED LOCKING PLATES**

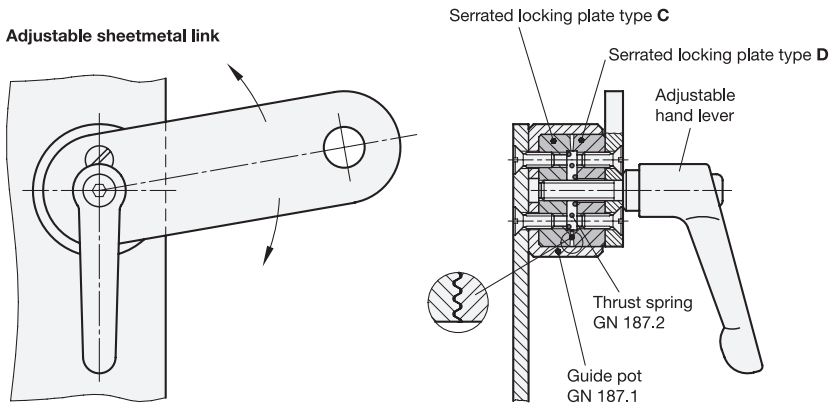
**Connection of two joint rods**



**Connection cam / shaft**



**Adjustable sheetmetal link**



9

Machine elements

\* Complete with Material of the Serrated locking plates (ST or NI)

ST NI  
Steel Stainless Steel

## GN 187.4

STAINLESS STEEL

Description	d1	z	d2	d3	d4	d5	d6	d7	h1 ±0.09 Middle of the teeth	h2	m1	m2	w min.	⚖️
GN 187.4-22-48-A-*	22	48	15.5	M 4	-	3.2	-	3	6.5	13	12	12	0.6	13
GN 187.4-22-60-A-*	22	60	15.5	M 4	-	3.2	-	3	6.5	13	12	12	0.6	13
GN 187.4-27-48-A-*	27	48	19.5	M 5	-	4.3	-	4	7.5	15	15	15	0.7	22
GN 187.4-27-60-A-*	27	60	19.5	M 5	-	4.3	-	4	7.5	15	15	15	0.7	22
GN 187.4-32-48-A-*	32	48	23.5	M 6	-	5.3	-	5	9	18	18	18	0.9	36
GN 187.4-32-60-A-*	32	60	23.5	M 6	-	5.3	-	5	9	18	18	18	0.9	36
GN 187.4-40-48-A-*	40	48	30	M 8	-	6.3	-	6	11.5	23	23	23	1.3	73
GN 187.4-40-60-A-*	40	60	30	M 8	-	6.3	-	6	11.5	23	23	23	1.3	73
GN 187.4-22-48-B-*	22	48	15.5	-	4.2	3.2	-	3	6.5	13	12	12	0.6	13
GN 187.4-22-60-B-*	22	60	15.5	-	4.2	3.2	-	3	6.5	13	12	12	0.6	13
GN 187.4-27-48-B-*	27	48	19.5	-	5.2	4.3	-	4	7.5	15	15	15	0.7	22
GN 187.4-27-60-B-*	27	60	19.5	-	5.2	4.3	-	4	7.5	15	15	15	0.7	22
GN 187.4-32-48-B-*	32	48	23.5	-	6.2	5.3	-	5	9	18	18	18	0.9	36
GN 187.4-32-60-B-*	32	60	23.5	-	6.2	5.3	-	5	9	18	18	18	0.9	36
GN 187.4-40-48-B-*	40	48	30	-	8.2	6.3	-	6	11.5	23	23	23	1.3	72
GN 187.4-40-60-B-*	40	60	30	-	8.2	6.3	-	6	11.5	23	23	23	1.3	72
GN 187.4-22-48-C-*	22	48	15.5	M 4	-	-	M 3	3	6.5	13	12	12	0.6	13
GN 187.4-22-60-C-*	22	60	15.5	M 4	-	-	M 3	3	6.5	13	12	12	0.6	13
GN 187.4-27-48-C-*	27	48	19.5	M 5	-	-	M 4	4	7.5	15	15	15	0.7	22
GN 187.4-27-60-C-*	27	60	19.5	M 5	-	-	M 4	4	7.5	15	15	15	0.7	22
GN 187.4-32-48-C-*	32	48	23.5	M 6	-	-	M 5	5	9	18	18	18	0.9	36
GN 187.4-32-60-C-*	32	60	23.5	M 6	-	-	M 5	5	9	18	18	18	0.9	41
GN 187.4-40-48-C-*	40	48	30	M 8	-	-	M 6	6	11.5	23	23	23	1.3	81
GN 187.4-40-60-C-*	40	60	30	M 8	-	-	M 6	6	11.5	23	23	23	1.3	81
GN 187.4-22-48-D-*	22	48	15.5	-	4.2	-	M 3	3	6.5	13	12	12	0.6	13
GN 187.4-22-60-D-*	22	60	15.5	-	4.2	-	M 3	3	6.5	13	12	12	0.6	13
GN 187.4-27-48-D-*	27	48	19.5	-	5.2	-	M 4	4	7.5	15	15	15	0.7	24
GN 187.4-27-60-D-*	27	60	19.5	-	5.2	-	M 4	4	7.5	15	15	15	0.7	24
GN 187.4-32-48-D-*	32	48	23.5	-	6.2	-	M 5	5	9	18	18	18	0.9	36
GN 187.4-32-60-D-*	32	60	23.5	-	6.2	-	M 5	5	9	18	18	18	0.9	40
GN 187.4-40-48-D-*	40	48	30	-	8.2	-	M 6	6	11.5	23	23	23	1.3	80
GN 187.4-40-60-D-*	40	60	30	-	8.2	-	M 6	6	11.5	23	23	23	1.3	80
GN 187.4-22-48-E-*	22	48	15.5	-	4.2	-	-	-	6.5	13	-	-	0.6	15
GN 187.4-22-60-E-*	22	60	15.5	-	4.2	-	-	-	6.5	13	-	-	0.6	20
GN 187.4-27-48-E-*	27	48	19.5	-	5.2	-	-	-	7.5	15	-	-	0.7	27
GN 187.4-27-60-E-*	27	60	19.5	-	5.2	-	-	-	7.5	15	-	-	0.7	20
GN 187.4-32-48-E-*	32	48	23.5	-	6.2	-	-	-	9	18	-	-	0.9	46
GN 187.4-32-60-E-*	32	60	23.5	-	6.2	-	-	-	9	18	-	-	0.9	46
GN 187.4-40-48-E-*	40	48	30	-	8.2	-	-	-	11.5	23	-	-	1.3	89
GN 187.4-40-60-E-*	40	60	30	-	8.2	-	-	-	11.5	23	-	-	1.3	89

Weight ST